

WV-SUD638

Anti-severe weather PTZ network outdoor camera with wiper and defroster

Aero PTZ Network Camera

The AeroPTZ is an environmentally rugged camera designed to meet extreme weather conditions.



- 2MP (1080p) (1080p) 60fps, 30x zoom lens
- Built-in wiper and Auto defroster
- Wind load durability 60 m/s (135 mph) (operation), 80 m/s (180 mph) (non-destructive)
- Video SAS (Stability Augment System) for high-class image stabilization
- “Sphere vision” provides 360° 3D viewing
- Temperature -50 °C to +60 °C (-58 °F to +140 °F)
- IP67, IP66, IK10 certified
- Optional IR LED light
- Heavy salt damage resistance specifications (ISO 14993 compliant)
- Smart Coding mode for additional compression
- NDAA Compliant

Precautions for heavy salt damage resistance

SPECIFICATIONS

| Camera | |
|------------------------------|--|
| Image Sensor | Approx. 1/3 type MOS image sensor |
| Minimum Illumination | Color : 0.06 lx (F1.6, Maximum shutter : Off(1/30 s), AGC : High) 0.004 lx (F1.6, Maximum shutter : max. 16/30 s, AGC : High)* BW : 0.02 lx (F1.6, Maximum shutter : Off(1/30 s), AGC : High) 0.001 lx (F1.6, Maximum shutter : max. 16/30 s, AGC : High)* 0 lx (F1.6, Maximum shutter : Off(1/30 s), AGC : High, when the IR LED (Optional) is lit) * Converted value |
| Super Dynamic | Dynamic Range 105 dB typ. |
| Image Settings | Gain (AGC), White balance |
| Image Compression | Adaptive black stretch, Back light compensation (BLC), Fog compensation, High light compensation (HLC), Digital noise reduction |
| Shutter Speed | [2 mega pixel [16 : 9] (60 fps mode)] Off(1/60) to 1/10000 Other than [2 mega pixel [16 : 9] (60 fps mode)] Off(1/30) to 1/10000 |
| Day/Night (ICR) | Off / On / Auto1(Normal) / Auto2(IR Light) / Auto3(SCC) |
| IR LED Light (Optional) | Off / Auto (High / Mid / Low) irradiation distance : 150 m (500 feet) |
| Image Stabilization | On / Off *Hybrid image stabilizer |
| Privacy Zone | Gray / Mosaic / Off (up to 32 zones available) |
| Camera Title on Screen | Up to 20 characters (alphanumeric characters, marks) |
| Video Motion Detection (VMD) | On / Off, 4 areas available |
| Lens | |
| Zoom Ratio | 30x / 45x with HD extra optical zoom (at 1280 x 720) (Motorized zoom / Auto Focus) |
| Digital (Electronic) Zoom | x1, x2, x4 |
| Focal Length | 4.3 mm - 129 mm {3/16 inches - 5-3/32 inches} |
| Maximum Ratio Aperture | 1 : 1.6 (WIDE) - 1 : 4.7 (TELE) |
| Focus Range | 2.0 m - ∞ |
| Aperture Range | F1.6 (WIDE) - Close |
| Angular Field of View | [16 : 9 mode] Horizontal : 2.3° (TELE) - 64° (WIDE) Vertical : 1.3° (TELE) - 38° (WIDE) [4 : 3 mode] Horizontal : 1.8° (TELE) - 50° (WIDE) Vertical : 1.3° (TELE) - 38° (WIDE) |
| Pan/tilt unit | |
| Panning Range | 360° endless |
| Panning Speed | Manual : approx. 0.065°/s to 100°/s Preset : up to approx. 200°/s (Except when IR LED Unit is equipped, forward tilt mount, frozen.) |
| Tilting Range | Upright : -45° to +90° Forward tilt : -90° to +90° Hanging : -90° to +30° |

| | |
|------------------|--|
| Tilting Speed | Manual : approx. 0.065°/s to 100°/s Preset : up to approx. 200°/s (Except when IR LED Unit is equipped, forward tilt mount, frozen.) |
| Preset Positions | 256 positions |
| Auto Mode | Auto track / Auto pan / Preset sequence / 360 map-shot / Preset map-shot / Patrol |
| Self Return | 10 s to 60 min |
| Tilt Flip | On / Off |
| Map Shot | 360° map shot / preset map shot |

| Network | |
|----------------------------------|--|
| Network IF | 10Base-T / 100Base-TX, RJ45 connector |
| Image Resolution | •2 mega pixel [16 : 9] (60 fps mode / 30 fps mode) H.264 : Maximum 1,920 x 1080 JPEG : Maximum 1,920 x 1080 •1.3 mega pixel [4 : 3] (30 fps mode) H.264 : Maximum 1,280 x 960 JPEG : Maximum 1,280 x 960 |
| Image Compression Method | H.264 Transmission Mode : Constant bit rate / Variable bit rate / Frame rate priority / Best effort / Advanced VBR Transmission type : Unicast / Multicast JPEG Image Quality : 10 steps Multiple streams individually configurable |
| Intelligent Compression | Smart coding, VIQS (ROI) |
| Audio Compression | G.726 (ADPCM) : 16 kbps / 32 kbps G.711 : 64 kbps AAC-LC : 64 kbps, AAC-LC(High quality) : 64 kbps / 96 kbps / 128 kbps |
| Protocol | IPv6 : TCP/IP, UDP/IP, HTTP, HTTPS, FTP, SMTP, DNS, NTP, SNMP, DHCPv6, RTP, MLD, ICMP, ARP, DiffServ IPv4 : TCP/IP, UDP/IP, HTTP, HTTPS, RTSP, RTP, RTCP, FTP, SMTP, DHCP, DNS, DDNS, NTP, SNMP, UPnP, IGMP, ICMP, ARP, DiffServ |
| Maximum Concurrent Access Number | Up to 14 users (Depends on network conditions) |
| Mobile Terminal Compatibility | iPad, iPhone, iPod touch (iOS 4.2.1 or later) Android™ mobile terminals |

| Environment | |
|---------------------------|---|
| Water and Dust Resistance | Main body : IP66, IP67, IEC60529 measuring standard compatible, Type 4X(UL50), NEMA 4X compliant Waterproof RJ45 connector, Waterproof power connector, Waterproof I/O connector |
| Shock Resistance | Compliant with IK10 (IEC 62262) |
| Salt Damage Resistance | ISO14993 compliant |
| Resistance to Wind | Upright 216 km/h (135 mph) (Operation) / 288 km/h (180 mph) (non-destructive) Forward tilt 50 m (112 mph) (Operation) / 80 m (180 mph) (non-destructive) |

| General | |
|--------------|--|
| Safety | UL (UL60950-1), c-UL (CSA C22.2 No.60950-1), CE, IEC60950-1 |
| EMC | FCC (Part15 ClassA), ICES003 ClassA, EN55032 ClassA, EN55035 |
| Power Source | AC100 to 240 V, 50 Hz / 60 Hz Tested PoE Injector* (60 W) *with limitations |

| | |
|------------------------|---|
| Operating Environment | <p>Ambient operating temperature :</p> <p>AC100 to 240 V : -50 °C to +60 °C {-58 °F to 140 °F} (Power On range : -30 °C to +60 °C {-22 °F to 140 °F})</p> <p>When using the tested PoE injector :</p> <p>-30 °C to +60 °C {-22 °F to 140 °F}</p> <p>When using the tested PoE injector and IR LED unit at the same time:</p> <p>-20 °C to +55 °C {-4 °F to 131 °F}</p> <p>*The upper limit value of ambient operating temperature indicates the use of WV-SUD638 (natural silver). In cases of products with other body colors, the upper limit value is +55 °C {131 °F}.</p> <p>*When WV-SUD6FRL1 (IR LED unit) is attached, the upper limit value of ambient operating temperature is +55 °C {131 °F}.</p> <p>Ambient operating humidity : 10 % to 100 %</p> |
| External I/O Terminals | <p>ALARM IN 1(DAY/NIGHT IN, Auto time adjustment), ALARM IN 2(ALARM OUT), ALARM IN 3(AUX OUT), Relay connection (x1 for each)</p> |
| Line Input | <p>ø3.5 mm monaural mini jack Input impedance : Approx. 2 kΩ (unbalanced)</p> <p>For line input Input level : Approx. -10 dBV</p> |
| Audio Output | <p>ø3.5 mm stereo mini jack (monaural output) Output impedance : Approx. 600 Ω (unbalanced) Using Amplifier built-in external speaker Output level : -20 dBV</p> |
| Dimensions | <p>220 mm (W) x 450 mm (H) x 266 mm (D) {8-21/32 inches (W) x 1ft 5-23/32 inches (H) x 10-15/32 inches (D)}</p> |
| Mass (Approx.) | <p>Approx. 8.5 kg {18.7 lbs}</p> |
| Finish | <p>Main body : Glass Fiber Reinforced Plastics WV-SUD638 : Natural Silver WV-SUD638-H : Gray (N7) WV-SUD638-T : Brown (Environmental color) Front glass : Glass, Clear</p> |

NOTES

Important

- Safety Precautions : Carefully read the Basic Information, Installation Guide and Operating Instructions before using this product.
- i-PRO Co., Ltd. cannot be held responsible for the performance of the network and/or other manufacturers' products used on the network.
- Masses and dimensions are approximate.
- Specifications are subject to change without notice.

Trademarks and registered trademarks

- iPad and iPhone are trademarks of Apple Inc., registered in the U.S. and other countries. - Android is a trademark of Google LLC.
- ONVIF is a trademark of ONVIF, Inc.
- All other trademarks identified herein are the property of their respective owners

©i-PRO Co., Ltd All rights reserved / November 2022

OPTIONAL ACCESSORIES

Select a compatible accessory

[Accessory Selector \(i-pro.com\)](http://i-pro.com).



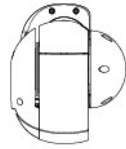
WV-SUD6FRL1
Unit



WJ-PU201
60W Single Port Power
over Ethernet

APPEARANCE

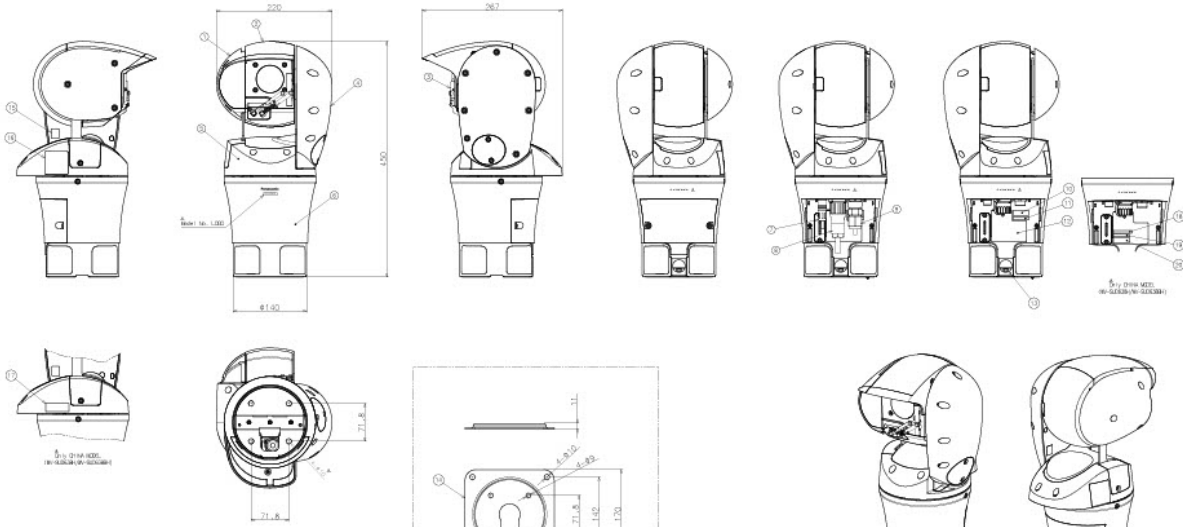
WV-SUD638 APPEARANCE



| 製品品番 | 製品色 | 品番ロゴ |
|-------------|----------|------------|
| WV-SUD638 | シルバー | WV-SUD638 |
| WV-SUD638PJ | シルバー | |
| WV-SUD638-T | 茶色 (環境色) | |
| WV-SUD638-H | N7グレー | |
| WV-SUD638H | シルバー | |
| WV-SUD638B | シルバー | WV-SUD638B |

| Model | Color | Model No. |
|-------------|---------------------------|----------------|
| WV-SUD638 | Silver | Model No. L060 |
| WV-SUD638PJ | Silver | WV-SUD638 |
| WV-SUD638-T | Brown (Environment color) | |
| WV-SUD638-H | N7 Gray | |
| WV-SUD638H | Silver | |
| WV-SUD638B | Silver | |
| WV-SUD638BH | Silver | WV-SUD638B |

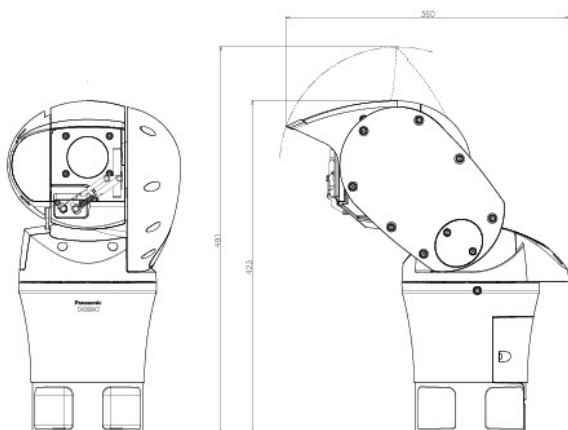
| No. | Part Name | Material | Process/Planer |
|-----|--------------------------------|----------------|----------------|
| 1 | TOP COVER | | |
| 2 | COVER UNIT | | |
| 3 | SEPERE UNIT | | |
| 4 | ILLU UNIT | | |
| 5 | POWER UNIT | | |
| 6 | RESTART UNIT | | |
| 7 | TEST I/O BOARD | | |
| 8 | REAC/COM/CON. Board/Powering | | |
| 9 | SEMIC CONDUCTOR (SILICON CHIP) | | |
| 10 | CMC ADDRESS LABEL | Polyester Film | Printing |
| 11 | ADDRESS No. LABEL | Polyester Film | Printing |
| 12 | MAIN NAME PLATE | Polyester Film | Printing |
| 13 | ADDRESS LABEL | Polyester Film | Printing |
| 14 | POWER UNIT | SUS PLATE | |
| 15 | RESTART UNIT | Polyester Film | Printing |
| 16 | ILLU UNIT LABEL | Polyester Film | Printing |
| 17 | CAUTION LABEL (OPTION) | Polyester Film | Printing |
| 18 | POWER UNIT NAME LABEL | Polyester Film | Printing |
| 19 | ADDRESS No. LABEL | Polyester Film | Printing |
| 20 | CMC ADDRESS LABEL | Polyester Film | Printing |



| | | | |
|---|---|---|---|
| ▲ | ● | ● | ● |
| ● | ● | ● | ● |
| ● | ● | ● | ● |
| ● | ● | ● | ● |

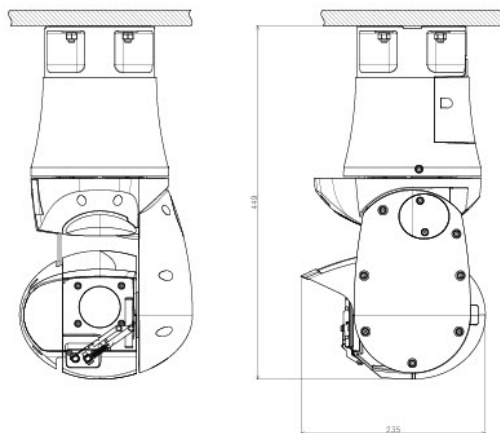
WV-SUD638 APPEARANCE

▲
前吊钩时



| 吊钩 | Projected area (吊钩/Forward lift) |
|---------------|-------------------------------------|
| ▲吊钩/Top-view | 0.071[m²] |
| ▲吊钩/Side-view | 0.072[m²] |

▲
吊钩下吊时



| 吊钩 | Projected area (吊钩/Forward lift) |
|---------------|-------------------------------------|
| ▲吊钩/Top-view | 0.032[m²] |
| ▲吊钩/Side-view | 0.071[m²] |